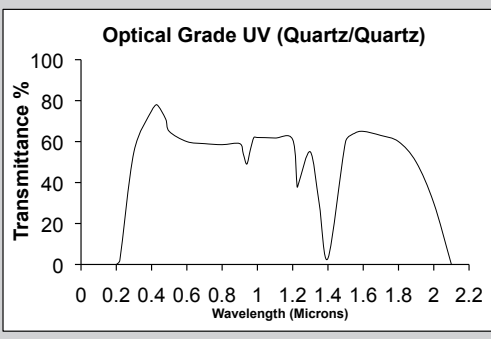
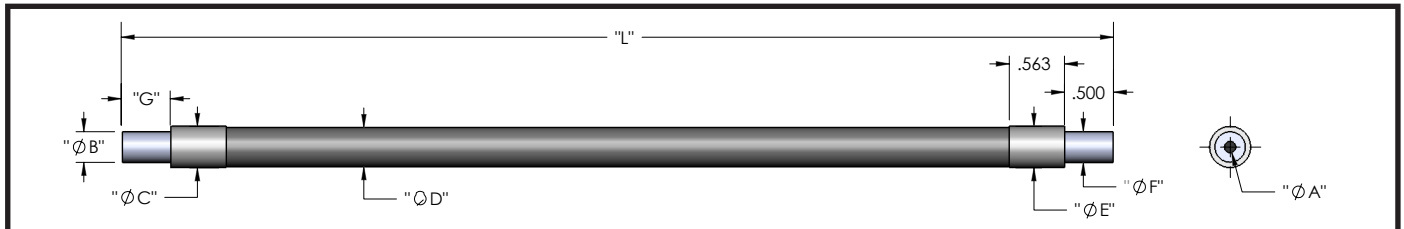


Optical Grade UV - Silica core/Silica clad

| Spectral Curve | Specifications |
|---|---|
|  <p>Optical Grade UV (Quartz/Quartz)</p> <p>Transmittance %</p> <p>Wavelength (Microns)</p> | Individual Fiber Diameter |
| | 0.004" (0.10 mm) |
| | Acceptance Cone |
| | 25.0° |
| | Numerical Aperture |
| | .22 |
| | Fiber Material |
| | Core: Fused Silica Cladding: Fused Silica |
| Temperature capabilities | |
| -40°F to 2000°F (-40°C to 1093°C) | |
| Spectral Transmittance | |
| 220nm-2100nm (.20-2.1 microns) | |
| Minimum Bend Radius | |
| 1 ½" for 1/8" and 1/16" bundle diameter / 3" for ¼" bundle dia. | |
| Maximum Breakage | |
| 10% | |



BXQ - Standard End Ferrule, Stainless Steel Sheathing, Rated for -40°F to 500°F

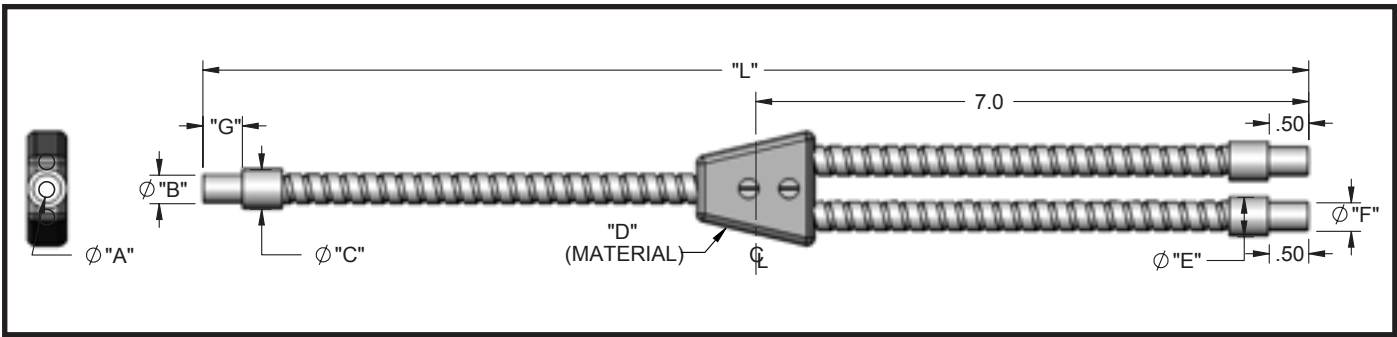
| Model | Part # | A | B | C | D | E | F | G | L |
|--------|--------------|-------------------|-------------------|-------------------|-------------------|-------------------|-------------------|------------------|-----------------|
| BXQ636 | 002012036036 | .062" (1.59mm) | .187" (4.75mm) | .281" (7.13mm) | .203" (5.16mm) | .281" (7.13mm) | .187" (4.75mm) | .50" (12.7mm) | 36" (914.40 mm) |
| BXQ824 | 002012038024 | .125" (3.18mm) | .187" (4.75mm) | .422" (10.7mm) | .345" (8.76mm) | .422" (10.7mm) | .187" (4.75mm) | .50" (12.7mm) | 24" (609.6 mm) |
| BXQ836 | 002012038036 | | | | | | | | 36" (914.40 mm) |
| BXQ860 | 002012038060 | | | | | | | | 60" (1524.0 mm) |
| BXQ872 | 002012038072 | | | | | | | | 72" (1828.8 mm) |

BXQH - Standard End Ferrule, Stainless Steel Sheathing, Rated for -40°F to 800°F

| Model | Part # | A | B | C | D | E | F | G | L |
|---------|--------------|-------------------|-------------------|-------------------|-------------------|-------------------|-------------------|------------------|----------------|
| BXQH624 | 002012046024 | .062" (1.59mm) | .187" (4.75mm) | .281" (7.13mm) | .203" (5.16mm) | .281" (7.13mm) | .187" (4.75mm) | .50" (12.7mm) | 24" (609.6 mm) |
| BXQH824 | 002012048024 | .125" (3.18mm) | .187" (4.75mm) | .422" (10.7mm) | .345" (8.76mm) | .422" (10.7mm) | .187" (4.75mm) | .50" (12.7mm) | 24" (609.6 mm) |

BXQS - Standard End Ferrule, Stainless Steel Sheathing, Rated for -40°F to 2000°F

| Model | Part # | A | B | C | D | E | F | G | L |
|---------|--------------|-------------------|-------------------|--------------------|--------------------|--------------------|-------------------|------------------|-----------------|
| BXQS636 | 002012056036 | .062" (1.59mm) | .187" (4.75mm) | .205" (5.2mm) | .190" (4.8mm) | .205" (5.2mm) | .187" (4.75mm) | .50" (12.7mm) | 36" (914.40 mm) |
| BXQS854 | 002012058054 | .125" (3.18mm) | .187" (4.75mm) | .312" (7.92mm) | .268" (6.81mm) | .312" (7.92mm) | .187" (4.75mm) | .50" (12.7mm) | 54" (1371 mm) |
| BXQS860 | 002012058060 | | | | | | | | 60" (1524.0 mm) |
| BXQS872 | 002012058072 | | | | | | | | 72" (1828.8 mm) |
| BXQS884 | 002012058084 | | | | | | | | 84" (2133.6 mm) |
| BXQS896 | 002012058096 | | | | | | | | 96" (2438.4 mm) |
| BXQS424 | 002012054024 | .250" (6.35mm) | .312" (7.92mm) | .656" (16.65mm) | .560" (14.22mm) | .656" (16.65mm) | .312" (7.92mm) | .50" (12.7mm) | 24" (609.60 mm) |
| BXQS436 | 002012054036 | | | | | | | | 36" (914.40 mm) |



EXQ- Standard End Ferrule, Stainless Steel Sheathing, Rated for -40°F to 500°F (at end ferrules)

| Model | Part # | A | B | C | D | E | F | G | L |
|---------|--------------|----------|----------|----------|-----------------|----------|----------|----------|-----------------|
| EXQ636 | 002024066036 | .062" | .187" | .281 | PVC Heat Shrink | .281 | .187" | .50" | 36" (914.40 mm) |
| EXQ696 | 002024066036 | (1.59mm) | (4.75mm) | (7.13mm) | | (7.13mm) | (4.75mm) | (12.7mm) | 96" (2438.4 mm) |
| EXQ836 | 002024068036 | | | | | | | | 36" (914.40 mm) |
| EXQ860 | 002024068060 | | | | | | | | 60" (1524.0 mm) |
| EXQ872 | 002024068072 | | | | | | | | 72" (1828.8 mm) |
| EXQ884 | 002024068084 | .125" | .187" | .422" | PVC Heat Shrink | .422" | .187" | .50" | 84" (2133.6 mm) |
| EXQ896 | 002024068096 | (3.18mm) | (4.75mm) | (10.7mm) | | (10.7mm) | (4.75mm) | (12.7mm) | 96" (2438.4 mm) |
| EXQ8108 | 002024068108 | | | | | | | | 108" (2743 mm) |
| EXQ8132 | 002024068132 | | | | | | | | 132" (3352 mm) |

EXQH- Standard End Ferrule, Stainless Steel Sheathing, Rated for -40°F to 800°F (at end ferrules)

| Model | Part # | A | B | C | D | E | F | G | L |
|----------|--------------|----------|----------|----------|-----------------|----------|----------|----------|----------------|
| EXQH8108 | 002024078108 | .125" | .187" | .422" | PVC Heat Shrink | .422" | .187" | .50" | 108" (2743 mm) |
| | | (3.18mm) | (4.75mm) | (10.7mm) | | (10.7mm) | (4.75mm) | (12.7mm) | |

EXQS- Standard End Ferrule, Stainless Steel Sheathing, Rated for -40°F to 2000°F (at end ferrules)

| Model | Part # | A | B | C | D | E | F | G | L |
|---------|--------------|----------|---------|-----------|-----------------|-----------|---------|----------|----------------|
| EXQS424 | 002024084024 | .250" | .312" | .656" | PVC Heat Shrink | .656" | .312" | .50" | 108" (2743 mm) |
| | | (6.35mm) | (7.9mm) | (16.65mm) | | (16.65mm) | (7.9mm) | (12.7mm) | |