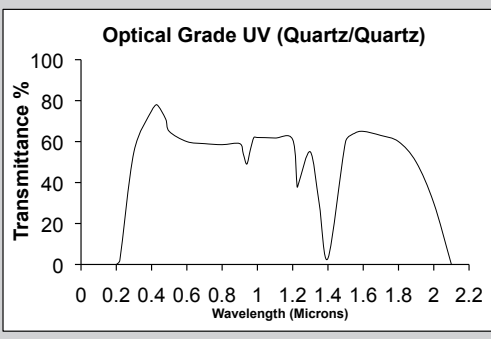
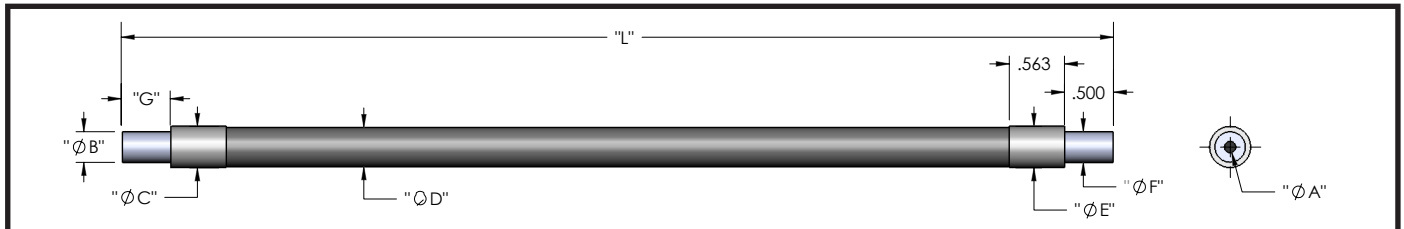


## Optical Grade UV - Silica core/Silica clad

| Spectral Curve  | Specifications                            |
|---|---|
|  <p><b>Optical Grade UV (Quartz/Quartz)</b></p> <p>Transmittance %</p> <p>Wavelength (Microns)</p> | Individual Fiber Diameter                 |
|   | 0.004" (0.10 mm)                          |
|   | Acceptance Cone                           |
|   | 25.0°                                     |
|   | Numerical Aperture                        |
|   | .22                                       |
|   | Fiber Material                            |
|   | Core: Fused Silica Cladding: Fused Silica |
| Temperature capabilities  |   |
| -40°F to 2000°F (-40°C to 1093°C)   |   |
| Spectral Transmittance  |   |
| 220nm-2100nm (.20-2.1 microns)  |   |
| Minimum Bend Radius   |   |
| 1 ½" for 1/8" and 1/16" bundle diameter / 3" for ¼" bundle dia.   |   |
| Maximum Breakage  |   |
| 10%   |   |



## BXQ - Standard End Ferrule, Stainless Steel Sheathing, Rated for -40°F to 500°F

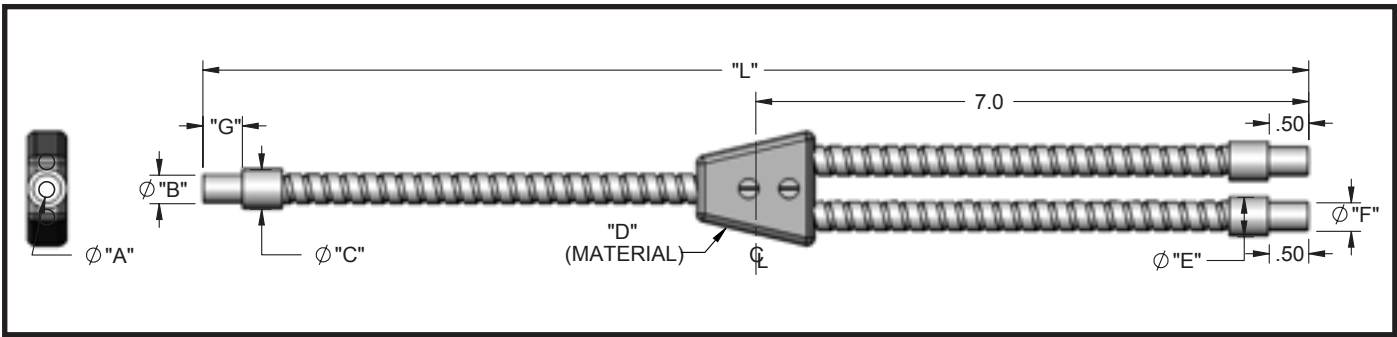
| Model  | Part #       | A                 | B                 | C                 | D                 | E                 | F                 | G                | L               |
|--------|--------------|-------------------|-------------------|-------------------|-------------------|-------------------|-------------------|------------------|-----------------|
| BXQ636 | 002012036036 | .062"<br>(1.59mm) | .187"<br>(4.75mm) | .281"<br>(7.13mm) | .203"<br>(5.16mm) | .281"<br>(7.13mm) | .187"<br>(4.75mm) | .50"<br>(12.7mm) | 36" (914.40 mm) |
| BXQ824 | 002012038024 | .125"<br>(3.18mm) | .187"<br>(4.75mm) | .422"<br>(10.7mm) | .345"<br>(8.76mm) | .422"<br>(10.7mm) | .187"<br>(4.75mm) | .50"<br>(12.7mm) | 24" (609.6 mm)  |
| BXQ836 | 002012038036 |                   |                   |                   |                   |                   |                   |                  | 36" (914.40 mm) |
| BXQ860 | 002012038060 |                   |                   |                   |                   |                   |                   |                  | 60" (1524.0 mm) |
| BXQ872 | 002012038072 |                   |                   |                   |                   |                   |                   |                  | 72" (1828.8 mm) |

## BXQH - Standard End Ferrule, Stainless Steel Sheathing, Rated for -40°F to 800°F

| Model   | Part #       | A                 | B                 | C                 | D                 | E                 | F                 | G                | L              |
|---------|--------------|-------------------|-------------------|-------------------|-------------------|-------------------|-------------------|------------------|----------------|
| BXQH624 | 002012046024 | .062"<br>(1.59mm) | .187"<br>(4.75mm) | .281"<br>(7.13mm) | .203"<br>(5.16mm) | .281"<br>(7.13mm) | .187"<br>(4.75mm) | .50"<br>(12.7mm) | 24" (609.6 mm) |
| BXQH824 | 002012048024 | .125"<br>(3.18mm) | .187"<br>(4.75mm) | .422"<br>(10.7mm) | .345"<br>(8.76mm) | .422"<br>(10.7mm) | .187"<br>(4.75mm) | .50"<br>(12.7mm) | 24" (609.6 mm) |

## BXQS - Standard End Ferrule, Stainless Steel Sheathing, Rated for -40°F to 2000°F

| Model   | Part #       | A                 | B                 | C                  | D                  | E                  | F                 | G                | L               |
|---------|--------------|-------------------|-------------------|--------------------|--------------------|--------------------|-------------------|------------------|-----------------|
| BXQS636 | 002012056036 | .062"<br>(1.59mm) | .187"<br>(4.75mm) | .205"<br>(5.2mm)   | .190"<br>(4.8mm)   | .205"<br>(5.2mm)   | .187"<br>(4.75mm) | .50"<br>(12.7mm) | 36" (914.40 mm) |
| BXQS854 | 002012058054 | .125"<br>(3.18mm) | .187"<br>(4.75mm) | .312"<br>(7.92mm)  | .268"<br>(6.81mm)  | .312"<br>(7.92mm)  | .187"<br>(4.75mm) | .50"<br>(12.7mm) | 54" (1371 mm)   |
| BXQS860 | 002012058060 |                   |                   |                    |                    |                    |                   |                  | 60" (1524.0 mm) |
| BXQS872 | 002012058072 |                   |                   |                    |                    |                    |                   |                  | 72" (1828.8 mm) |
| BXQS884 | 002012058084 |                   |                   |                    |                    |                    |                   |                  | 84" (2133.6 mm) |
| BXQS896 | 002012058096 |                   |                   |                    |                    |                    |                   |                  | 96" (2438.4 mm) |
| BXQS424 | 002012054024 | .250"<br>(6.35mm) | .312"<br>(7.92mm) | .656"<br>(16.65mm) | .560"<br>(14.22mm) | .656"<br>(16.65mm) | .312"<br>(7.92mm) | .50"<br>(12.7mm) | 24" (609.60 mm) |
| BXQS436 | 002012054036 |                   |                   |                    |                    |                    |                   |                  | 36" (914.40 mm) |



### EXQ- Standard End Ferrule, Stainless Steel Sheathing, Rated for -40°F to 500°F (at end ferrules)

| Model   | Part #       | A        | B        | C        | D        | E        | F        | G        | L               |
|---------|--------------|----------|----------|----------|----------|----------|----------|----------|-----------------|
| EXQ636  | 002024066036 | .062"    | .187"    | .281     | PVC Heat | .281     | .187"    | .50"     | 36" (914.40 mm) |
| EXQ696  | 002024066036 | (1.59mm) | (4.75mm) | (7.13mm) | Shrink   | (7.13mm) | (4.75mm) | (12.7mm) | 96" (2438.4 mm) |
| EXQ836  | 002024068036 |          |          |          |          |          |          |          | 36" (914.40 mm) |
| EXQ860  | 002024068060 |          |          |          |          |          |          |          | 60" (1524.0 mm) |
| EXQ872  | 002024068072 |          |          |          |          |          |          |          | 72" (1828.8 mm) |
| EXQ884  | 002024068084 | .125"    | .187"    | .422"    | PVC Heat | .422"    | .187"    | .50"     | 84" (2133.6 mm) |
| EXQ896  | 002024068096 | (3.18mm) | (4.75mm) | (10.7mm) | Shrink   | (10.7mm) | (4.75mm) | (12.7mm) | 96" (2438.4 mm) |
| EXQ8108 | 002024068108 |          |          |          |          |          |          |          | 108" (2743 mm)  |
| EXQ8132 | 002024068132 |          |          |          |          |          |          |          | 132" (3352 mm)  |

### EXQH- Standard End Ferrule, Stainless Steel Sheathing, Rated for -40°F to 800°F (at end ferrules)

| Model    | Part #       | A        | B        | C        | D        | E        | F        | G        | L              |
|----------|--------------|----------|----------|----------|----------|----------|----------|----------|----------------|
| EXQH8108 | 002024078108 | .125"    | .187"    | .422"    | PVC Heat | .422"    | .187"    | .50"     | 108" (2743 mm) |
|          |              | (3.18mm) | (4.75mm) | (10.7mm) | Shrink   | (10.7mm) | (4.75mm) | (12.7mm) |                |

### EXQS- Standard End Ferrule, Stainless Steel Sheathing, Rated for -40°F to 2000°F (at end ferrules)

| Model   | Part #       | A        | B       | C         | D        | E         | F       | G        | L              |
|---------|--------------|----------|---------|-----------|----------|-----------|---------|----------|----------------|
| EXQS424 | 002024084024 | .250"    | .312"   | .656"     | PVC Heat | .656"     | .312"   | .50"     | 108" (2743 mm) |
|         |              | (6.35mm) | (7.9mm) | (16.65mm) | Shrink   | (16.65mm) | (7.9mm) | (12.7mm) |                |