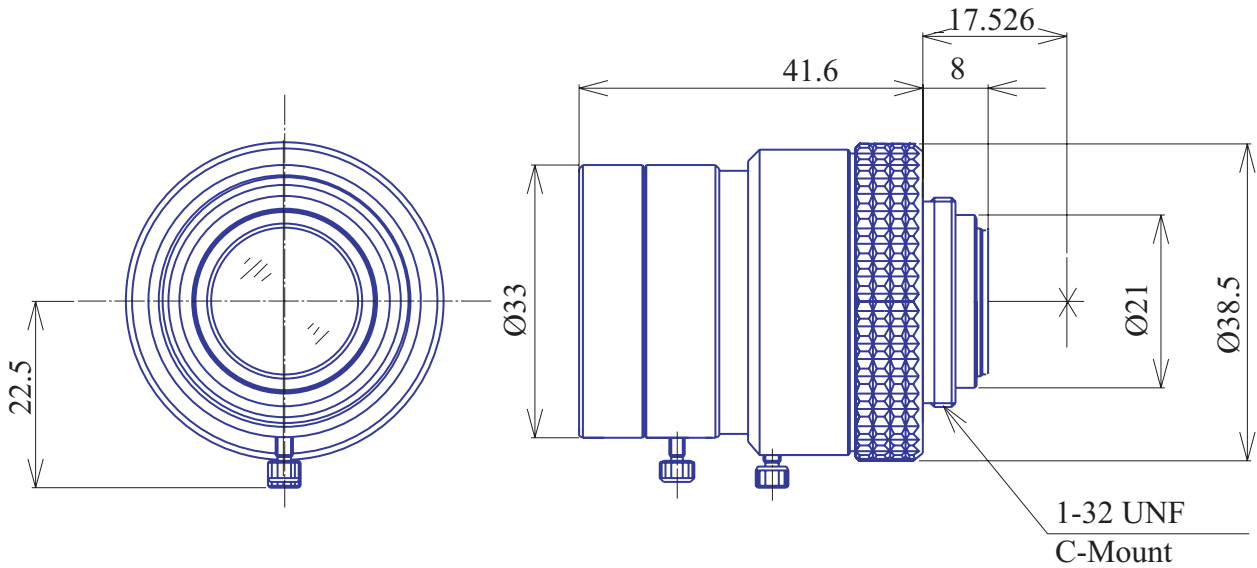


2/3inch Format High resolution 5 Megapixel Lenses

Item No.GMB5HR38014MCN



ITEM NO.		GMB5HR38014MCN
Focal Length		8 (mm)
Iris Range		F1.4 - Close
Angle of View (H x V x D)	2/3"	56°5' x 43°9' x 67°0'
MOD		0.1 (m)
Filter Thread		M=30.5, P=0.5
Dimention (D x L)		Ø38.5 x 41.6 (mm)
Weight		105 (g)