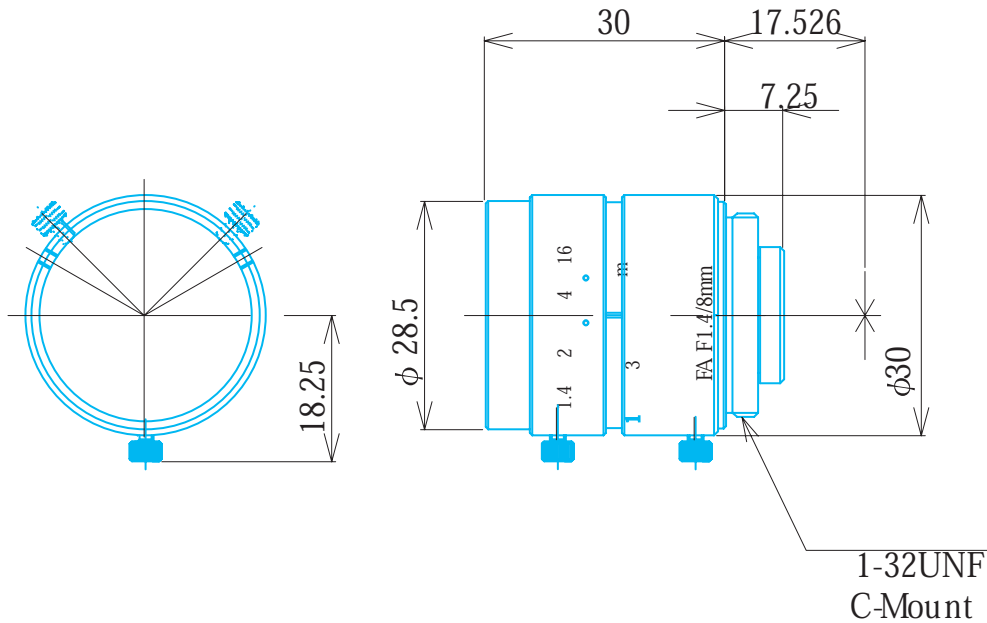




Manual Lenses

Item No. GMN38014MCN-1



| ITEM NO. | | GMN38014MCN-1 | |
|-----------------------------|------|-----------------------|-------|
| Focal Length | | 8 | (mm) |
| Iris Range | | F1.4 - 16 | |
| Angle of View (H x V x D) | 1/2" | 46.2° x 34.6° x 58.1° | |
| | 2/3" | 64.2° x 47.7° x 81.3° | |
| MOD | | 0.1 | (m) |
| Filter Thread | | M=27 , P=0.5 | |
| Dimention (D x L) | | φ 30.0 x 30.0 | (mm) |
| Weight | | 55 | (g) |

GOYO OPTICAL Inc.

Japanese Office

3-8-31 HAMAZAKI,
ASAKA,
SAITAMA 351-0033,
JAPAN,
TEL:048-474-2235
FAX:048-474-7373
E-MAIL:info@goyooptical.com

German Office

KURHAUSSTR,3
ROOM N'19
D-55543 BAD KREUZNACH
GERMANY
TEL:0671-4822255
FAX:0671-43603
E-MAIL:info@goyooptical.com