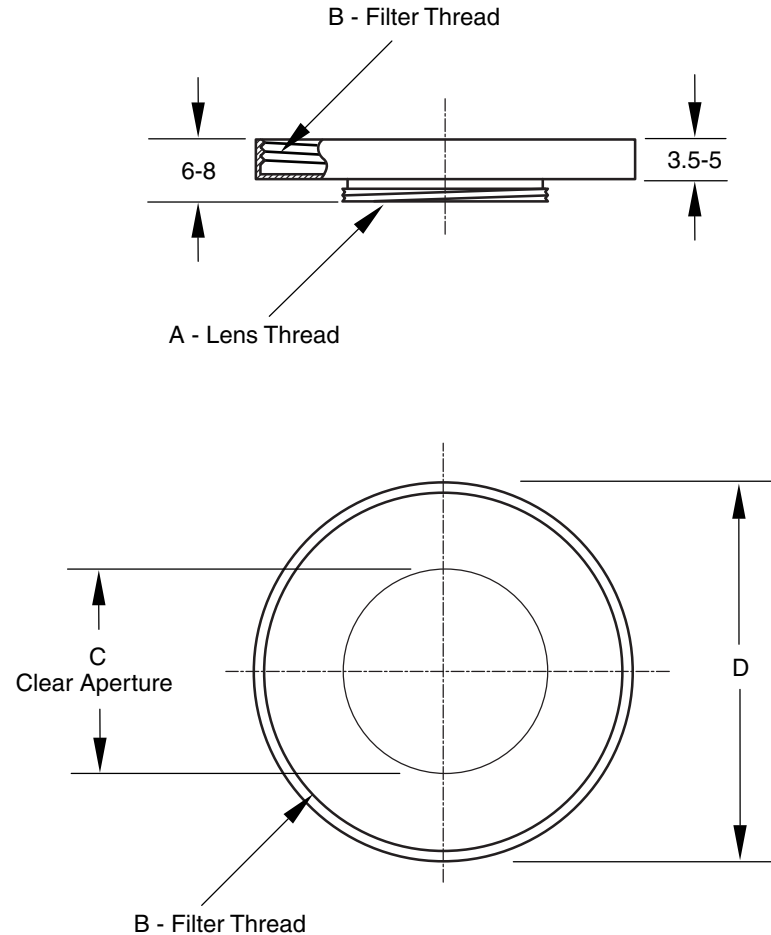


NOTES: 1. Material is silver or black anodized aluminum.  
2. Not to scale. Dimensions in mm  $\pm 0.3$ mm.

| Step-up #   | A LENS THREAD | B FILTER THREAD | C CLEAR APERTURE | D OUTER DIAMETER |
|-------------|---------------|-----------------|------------------|------------------|
| SU25.5-27   | M25.5 x P0.5  | M27 x P0.5      | 21               | 28.5             |
| SU25.5-30.5 | M25.5 x P0.5  | M30.5 x P0.5    | 22.5             | 32               |
| SU25.5-46   | M25.5 x P0.5  | M46 x P0.75     | 22.5             | 48               |
| SU27-30.5   | M27 x P0.5    | M30.5 x P0.5    | 23               | 32               |
| SU27-37     | M27 x P0.5    | M37 x P0.75     | 24               | 39               |
| SU27-40.5   | M27 x P0.5    | M40.5 x P0.5    | 24.5             | 42               |
| SU27-46     | M27 x P0.5    | M46 x P0.75     | 24               | 48               |
| SU28-37     | M28 x P0.75   | M37 x P0.75     | 25.8             | 39               |
| SU30.5-34   | M30.5 x P0.5  | M34 x P0.5      | 27.5             | 36               |
| SU30.5-46   | M30.5 x P0.5  | M46 x P0.75     | 27.5             | 48               |
| SU34-46     | M34 x P0.5    | M46 x P0.75     | 31               | 48               |
| SU35.5-37   | M35.5 x P0.5  | M37 x P0.75     | 32.5             | 39               |
| SU37-46     | M37 x P0.75   | M46 x P0.75     | 33.2             | 48.5             |
| SU37-49     | M37 x P0.75   | M49 x P0.75     | 33.2             | 31.5             |
| SU37.5-46   | M37.5 x P0.5  | M46 x P0.75     | 34.5             | 48               |
| SU39-46     | M39 x P0.5    | M46 x P0.75     | 36.5             | 48               |
| SU39.5-43.5 | M39.5 x P0.5  | M43.5 x P0.75   | 37               | 46               |
| SU40.5-46   | M40.5 x P0.5  | M46 x P0.75     | 37.5             | 48               |
| SU43-46     | M43 x P0.75   | M46 x P0.75     | 40               | 48               |
| SU46-49     | M46 x P0.75   | M49 x P0.75     | 43.5             | 51               |
| SU46-52     | M46 x P0.75   | M52 x P0.75     | 43.5             | 55               |
| SU46-55     | M46 x P0.75   | M55 x P0.75     | 43.5             | 57               |
| SU46-58     | M46 x P0.75   | M58 x P0.75     | 43.5             | 60               |
| SU49-52     | M49 x P0.75   | M52 x P0.75     | 46               | 54               |
| SU49-58     | M49 x P0.75   | M58 x P0.75     | 46               | 60               |
| SU52-58     | M52 x P0.75   | M58 x P0.75     | 49               | 60               |
| SU52-67     | M52 x P0.75   | M67 x P0.75     | 49               | 70               |
| SU55-58     | M55 x P0.75   | M58 x P0.75     | 52               | 60               |
| SU55-62     | M55 x P0.75   | M62 x P0.75     | 51               | 64               |
| SU58-62     | M58 x P0.75   | M62 x P0.75     | 55               | 64               |
| SU62-67     | M62 x P0.75   | M67 x P0.75     | 60               | 70               |
| SU62-72     | M62 x P0.75   | M72 x P0.75     | 59               | 74.5             |
| SU62-77     | M62 x P0.75   | M77 x P0.75     | 57               | 79               |
| SU62-82     | M62 x P0.75   | M82 x P0.75     | 59               | 84               |
| SU77-95     | M77 x P0.75   | M95 x P1        | 74               | 98               |
| SU77-105    | M77 x P0.75   | M105 x P1       | 74               | 108              |



**MIDOPT**

Midwest Optical Systems, Inc.

Machine Vision Filters, Lenses and Accessories

322 Woodwork Lane, Palatine IL 60067

P: 847-359-3550 F: 847-359-3567

www.midopt.com

**Step-up Ring**

Part No.: SUXX-XX

(Example: SU25.5-46 for

46mm filter to a M25.5 x P0.5 lens)

October 22, 2010