

# LL

## MetaLight™ Line Light Model:LL604



**Vision Light Tech**  
creating optical solutions



Metaphase offers the industry's breakthrough performance line lights for imaging, web, and high-speed line scan applications requiring ultra-high intensity and uniformity. Our line lights are built as lean fixtures that can be easily controlled and integrated into visions systems.

Our MetaLight™ Line Lights feature an adjustable lens, enhanced cooling options, and low current consumption.

### BENEFITS:

- High Uniformity both laterally and longitudinally
- Lens Options for various beam widths and working distances
- Strobe synchronization; Control compatibility for high precision pulse-modulation and 0-10V Intensity Control capability
- Adjustable lens focusing range of mm to meters
- Backlight versions for web backlight & silhouetting applications
- From 1" to 120" (10ft) in length
- Built-in constant current driver(s) provides consistent illumination output
- 24V version require no special controllers; simply provide 24VDC

### APPLICATIONS:

- Road Surface Inspection
- Bottle Inspection
- High Speed Scanning
- Geometry Measurement
- Detection of Holes
- Sheet Inspection
- Web Inspection
- Print Inspection
- Fabrics Inspection
- Solar Cells

### RATINGS:



Buy American

### DOMINANT WAVELENGTH:

Part #	Color	Power Supply
LL604-W-24	White 5500K	
LL604-R-24	Red 630nm	
LL604-B-24	Blue 470nm (Optional 455nm)	
LL604-G-24	Green 530nm	24 volt power supply available upon request.
LL604-IRN-24	Infrared 850nm	

10 ft. flying leads come standard on all products.  
Light features built-in constant current driver.  
No expensive controller required.

#### Vision Light Tech B.V.

Protonenlaan 22, 5405 NE UDEN, P.O. Box 345, 5400 AH UDEN, The Netherlands

Phone: +31 (0)413 26 00 67, Fax +31 (0)413 26 09 38, E-mail: inquiry@vlt.nl, Website: www.vlt.nl

Trade register No. 17150044, VAT No. NL8112.30.946.B01



# MetaLight™ Line Light

## Model:LL604



**Vision Light Tech**  
creating optical solutions

### ELECTRICAL & CONTROLS:

Current Consumption	1.25A
Light Intensity	+/-5%
Illuminance	220,000 Lux
Operating Temperature	-40°F(-45°) to 100°F (37.8°C)
Lifetime Hours	75,000 Hours

### WIRING DIAGRAM:

WHITE & RED	+24VDC
GREEN	Signal Ground
BLACK & GREEN	Ground
WHITE	0-10VDC Intensity Control

18 AWG 4 WIRES CABLE X 1 w/ 24 AWG 2 WIRES CABLE X 1  
When not using intensity control, connect 0-10V control line to +24 (Max Intensity Control = 25V) and intensity control ground to ground

### HOUSING:

Dimensions	Length: 26.14in / 664mm Width: 1in / 25.4mm Height: 2.95in / 74.88mm
Weight	2lb/ 907.185g
Housing	Aluminum
Finish	Powder Coating - Black

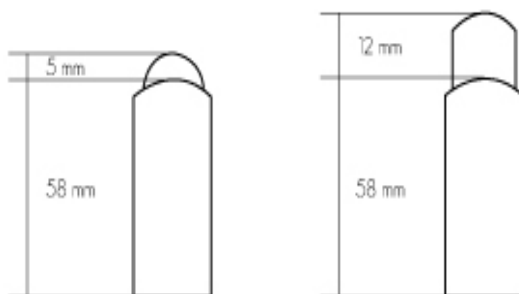
### WIRING DIAGRAM:

PIN #	Function
1	+24VDC
2	0-10VDC Intensity Control
3	Ground
4	Signal Ground



### FOCAL LENS:

#### MetaLight Line Light Lens Options



#### Vision Light Tech B.V.

Protonenlaan 22, 5405 NE UDEN, P.O. Box 345, 5400 AH UDEN, The Netherlands

Phone: +31 (0)413 26 00 67, Fax +31 (0)413 26 09 38, E-mail: inquiry@vlt.nl, Website: www.vlt.nl

Trade register No. 17150044, VAT No. NL8112.30.946.B01

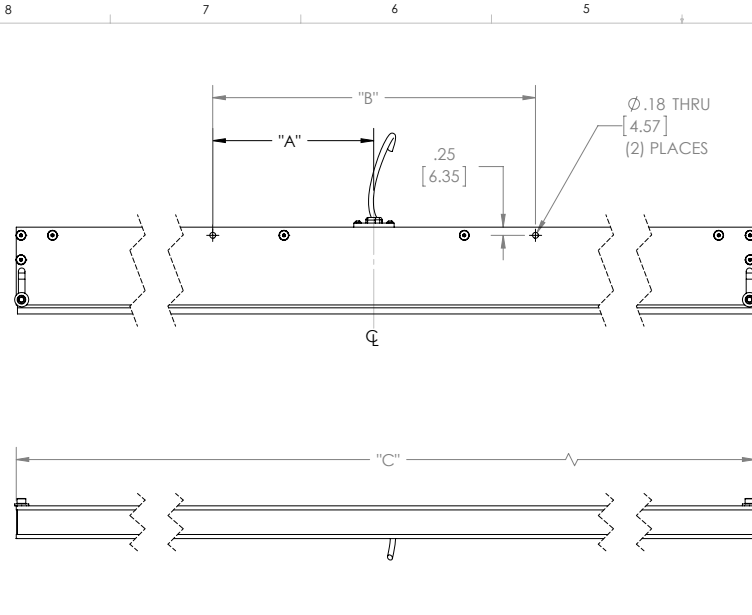


# MetaLight™ Line Light Model:LL604



**Vision Light Tech**  
creating optical solutions

## DRAWING & DETAILS:



REVISIONS				
ZONE	REV.	DESCRIPTION	DATE	APPROVED

ELECTRICAL CORD  
CAROL STYLE C0742A, 24 AWG  
10 FT LG, WITH FLYING LEADWIRE ENDS.

SIZE	PART NUMBER	DIM "A"	DIM "B"	DIM "C"
10"	LL304	2.00 [50.8]	4.00 [101.6]	10.938 [277.8]
16"	LL404	3.00 [76.2]	6.00 [152.4]	16.00 [406.4]
20"	LL504	3.00 [76.2]	6.00 [152.4]	21.07 [535.2]
25"	LL604	5.00 [127]	10.00 [254]	26.14 [664]
30"	LL704	5.00 [127]	10.00 [254]	31.20 [792.5]
35"	LL804	5.00 [127]	10.00 [254]	36.27 [921.3]
40"	LL904	5.00 [127]	10.00 [254]	41.37 [1050.8]

**PROPRIETARY AND CONFIDENTIAL**  
THE INFORMATION CONTAINED IN THIS DRAWING IS THE SOLE PROPERTY OF <INSERT COMPANY NAME HERE>. ANY REPRODUCTION IN PART OR AS A WHOLE WITHOUT THE WRITTEN PERMISSION OF <INSERT COMPANY NAME HERE> IS PROHIBITED.

UNLESS OTHERWISE SPECIFIED: DIMENSIONS ARE IN INCHES TOLERANCES: FRACTIONAL: ± ANGULAR: MACH ± TWO PLACE DECIMAL ± THREE PLACE DECIMAL ± INTERPRET GEOMETRIC TOLERANCING PER: MATERIAL: FINISH: DO NOT SCALE DRAWING	NAME: KW DATE: 6-7-11	METAPHASE TECHNOLOGIES, INC.
DRAWN: [ ] CHECKED: [ ] ENG APPR: [ ] MFG APPR: [ ] Q.A.: [ ] COMMENTS:	TITLE: LINE LIGHT METABRIGHT 10 THRU 40 INCH	SIZE DWG. NO. REV B LLX04
NEXT ASSY: [ ] USED ON: [ ] APPLICATION: [ ]	SCALE: NTS WEIGHT: [ ]	SHEET 1 OF 1

## ORDERING INFORMATION:

• L L 6 0 4 -  - 2 4 -

**Back Line Light Option:**  
Replace designator "LL" with "BLL" on the prefix for units deployed in transmitted imaging applications.  
ex: BLL604-R-24

**W**- White 6000k  
**R**- Red 630nm  
**G**- Green 530nm  
**B**- Blue 470 nm  
(Optional 450nm)  
**IRN**- Infrared 850nm

**\*BLANK**- 10 ft. Flying Leads  
**T**- M12 Quick Disconnect  
**ILD**- In Line Dimmer  
**ILS**- In Line Strobe (customer provide trigger info)  
**LL** - Long Focal Lens

\* Intensity will be lower for NON-Fan option

**Vision Light Tech B.V.**

Protonenlaan 22, 5405 NE UDEN, P.O. Box 345, 5400 AH UDEN, The Netherlands

Phone: +31 (0)413 26 00 67, Fax +31 (0)413 26 09 38, E-mail: inquiry@vlt.nl, Website: www.vlt.nl

Trade register No. 17150044, VAT No. NL8112.30.946.B01