

Line Lights LN-HK series

Refer to our website for product details.

CCS LN-HK

Search



You can also use your smartphone or cell phone.

Use a search engine.

Provides converged line lighting (High output type)

LED color

Custom orders accepted

Size

Custom orders accepted



LN-200SW2-HK-STK



LN-60SW2-HK-STK

Applications

Visual inspection for film circuit boards, inspection for faults in non-woven fabrics, inspection for parts mounted on circuit boards, visual inspection for printed objects, and visual inspection for plastic products, etc.

Direct Lighting
LDR2
LDR2-LA
LDR-LA1
SQR
SQR-TP

Convergent Lighting
HLDR-IP

Diffused Lighting
HPR2
HPR
LFR
LKR
FPR
FPQ2

Direct Lighting
LDL2
LDLB
HLDL2

Diffused Lighting
TH
LFL
HPD2
HPD
LDM2
LAV
PDM
LFX2
LFV3
LFV2

Colimated Lighting
MSU
MFU

Ultraviolet Lighting
UV2
UV
LNSP-UV-FN

Infrared Lighting
IR2

Spot Lighting, Etc.
HLV2
LV
LSP
HFS/HFR
HLV2-NR
HLV2-3M-RGB-3W
PFB2
PFBR

Convergent Lighting
LNSP
CU-LNSP
LNSP-FN
LN/LN-HK

Diffused Lighting
LNSD
LND2
HLND
LT
LNV/HLDN

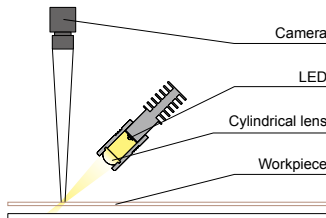
Oblique Angled Lighting
LNIS
LNIS-FN

Lenses
Telecentric Lens
Macro Lens

Characteristics

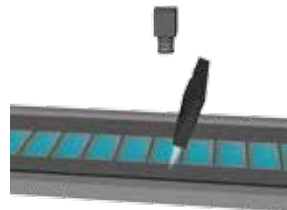
Transmits light illuminated from the LEDs through the cylindrical lens on the tip for converged line lighting.

Example configuration (LN-60SW2-HK-STK)



Applications

Visual inspection for film circuit boards Inspection for faults in non-woven fabrics



We accept custom orders. Please feel free to inquire.

- Change to format
- Increase brightness
- Change to wavelength, etc.

Lineup

Model name	LED color	Power consumption	Peak wavelength/ correlated color temperature	Options	Recommended Control Units	Weight
LN-60SW2-HK-STK	White	24 V / 6.1W	5,500 K	-	<input type="checkbox"/> PD3 <input type="checkbox"/> CC-ST-1024* <input type="checkbox"/> PSB	250 g
LN-200SW2-HK-STK	White	24 V / 22 W	5,500 K		750 g	

* Cannot be used with the LN-200SW2-HK-STK.

LED Properties: Light Spectrum ▶ P.234

Extension Cables ▶ P.222

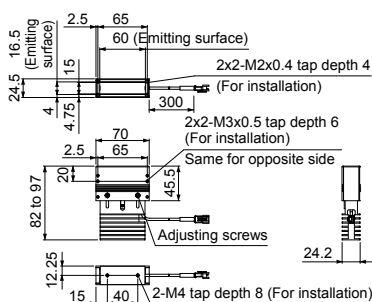
Control Unit Selection Guide ▶ P.181

Control Unit Page ▶ P.185

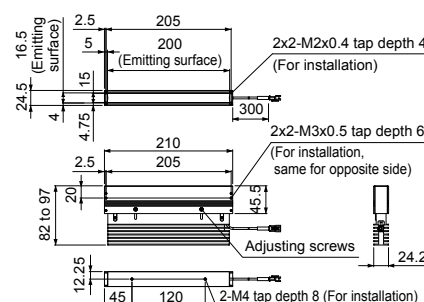
* Custom products with a PWM frequency of 500 kHz are available for Digital Control Unit PD3 series. Please contact your CCS sales representative for details.

Dimensions (mm)

LN-60SW2-HK-STK



LN-200SW2-HK-STK



You can change the connectors of the Light Unit cable. Choose between M12 connectors and flying leads. Refer to P.125 for details.

You can inquire using our website.

Requests for Light Unit Selection

Requests for Loan Products

Requests for Estimates

Requests for a Catalog

Product Inquiries

Other Inquiries

Inquire on our website here. <http://www.ccs-grp.com/contact/>