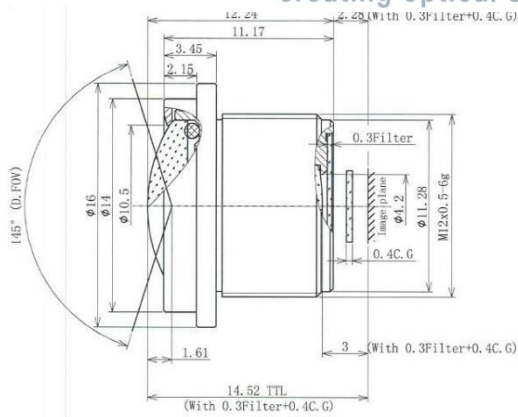




Vision Light Tech

creating optical solutions



Focal Length:	1.93mm	
Sensor:	1/4" CCD/CMOS	
Image Format(HxV,D):	3.8x2.688,4.65	
FNo.:	F2.4	
TV Distortion:	-30.6%	
Resolution:	Mega Pixel	
Relative illumination:	>50%	
Iris:	Fixed	
Back Focal Length:	3mm (with 0.3 Filter+0.4C.G)	
F.O.V.:		1/4" (ASX340)
	D	145°
	H	117°
	V	81°
Lens Effective Diameter:	Front	Φ10.5mm
	Back	Φ4.2mm
Lens construction:	5-4	
Max Chief Ray Angle	12.2°	
M.O.D.:	0.1m	
Mount:	M12 x0.5	
TTL:	14.52mm (with 0.3 Filter+0.4C.G)	
Dimension:	Φ16x12.24mm	
Model:	ACM14B019324WM12	