



Theia

TECHNOLOGIES

SY110 Megapixel Lens Ultra-wide - Day/Night - No Distortion



LINEAR OPTICAL TECHNOLOGY

- ❖ **Ultra wide** horizontal field of view up to 120° provides greater security
- ❖ Patented Linear Optical Technology® enables **no barrel distortion** for maximum resolution
- ❖ IR corrected for **Day/Night** cameras
- ❖ Supports **multi megapixel resolution** cameras for demanding applications
- ❖ Near and far objects **continuously in focus** without lens adjustment
- ❖ Available with C-mount or CS-mount and with auto or manual iris

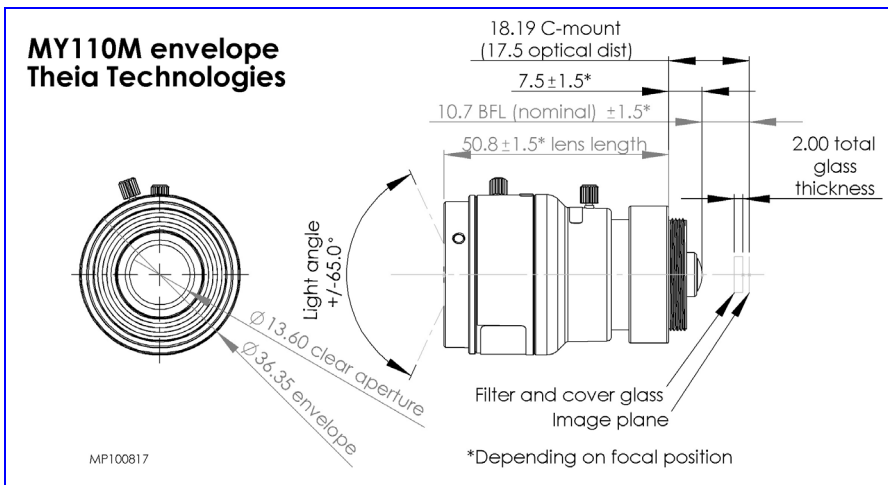
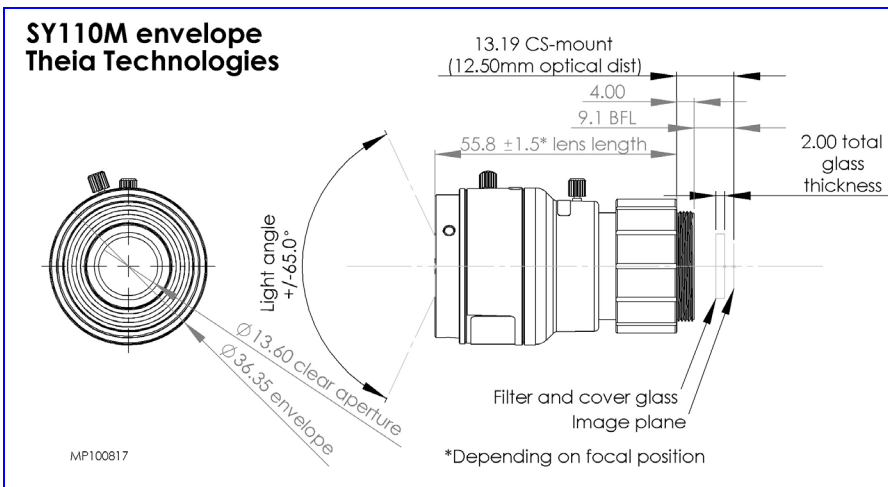
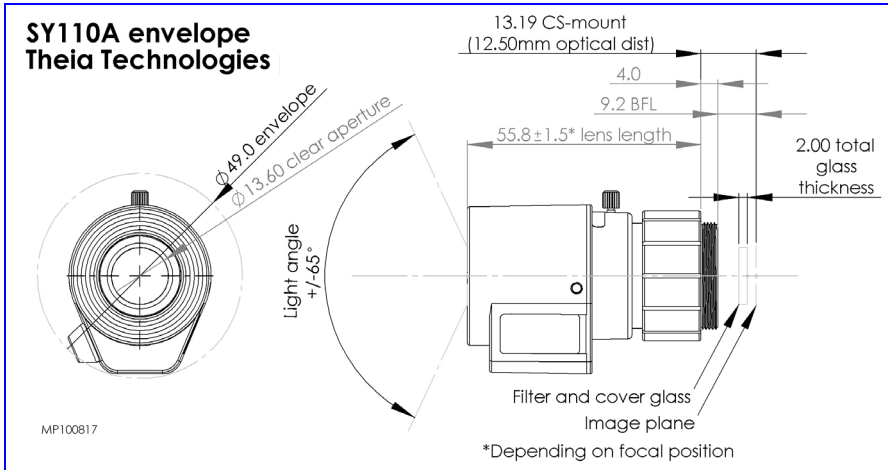


Typical wide angle lens

Lenses	SY110A DC-autoiris	SY110M Manual iris	MY110A* DC-autoiris	MY110M Manual iris
Mount type	CS-mount		C-mount	
Focal length	1.67mm			
Linear Optical Technology®	Yes (Note: this technology causes the image to be flipped)			
Distortion	<1%			
Resolution	Up to 3MPix resolution			
F/#	F/1.8 to close			
IR Correction	Day/Night			
Lens Length to Mount	56 mm		51 mm	
Lens Length (TTL)	68.3 mm			
Sensor size	1/4"		1/3"	
Field of view (H)	94°		110°	
Field of view (V)	78°		94°	
Field of view (D)	107°		122°	
			1/2.5" **	
	120°		104°	
	107°		130°	

*Available by special request, MOQ 500

**Some vignetting may occur using a 1/2.5" sensor is sensor is not well aligned in the camera.



For more information contact:

Theia Technologies
info@TheiaTech.com
www.TheiaTech.com
Phone: +1-503-570-3296