



SL1250P 4K Resolution Day/Night lens for 1/1.7" sensors

- ✓ Ultra high resolution for 4K cameras, up to 12.4 megapixel
- ✓ P-iris
- ✓ Locking screws for focus and zoom
- ✓ IR corrected for true Day/Night cameras
- ✓ Compact design to fit into domes as small as 4" mini-dome size
- ✓ Used for sensor sizes 1/2.5", 1/2.3", 1/2", 1/1.8", and up to 1/1.7" (Sony IMX178, Sony IMX226 for example)

SL1250P

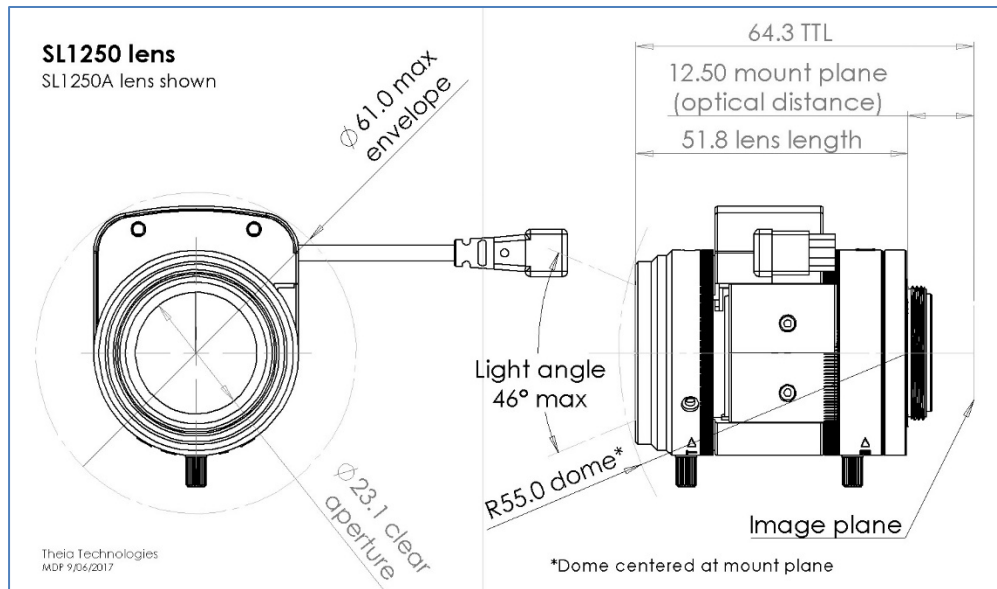
Focal length	12-50mm
Mount type	CS-mount
Iris type	P-iris
Image circle	Up to Ø9.4mm
Resolution	12.4 megapixel, 300lp/mm
F/#	F/1.8 @ 12mm - F/2.4 @ 50mm to close
IR Correction	435nm – 940nm (Day/Night)
Focus Range	2.0m - infinity
Lens length	< 64mm TTL
Back focal length	BFL 8.2mm (in air)
CRA	< 7°
Distortion	< 10% at 12mm, < 2% at 50mm
Relative illumination	>40%
Lens transmission	>80%
Weight	70g
Operating temperature	-20C to 60C (<70% humidity, non-condensing)
Storage temperature	-30C to 70C (<90% humidity, non-condensing)

Field of view for sensor sizes

Sensor size	1/1.7"	1/1.8"	1/1.8" 4K*	1/2"	1/2.3"	1/2.5"
Horizontal	36° - 8.6°	36° - 8.6°	35° - 8.5°	30° - 7.4°	30° - 7.2°	27° - 6.7°
Vertical	26° - 6.5°	23° - 5.8°	17° - 4.3°	23° - 5.6°	22° - 5.5°	20° - 5.0°
Diagonal	46° - 11°	44° - 10°	40° - 9.5°	39° - 9.2°	38° - 9°	34° - 8.3°

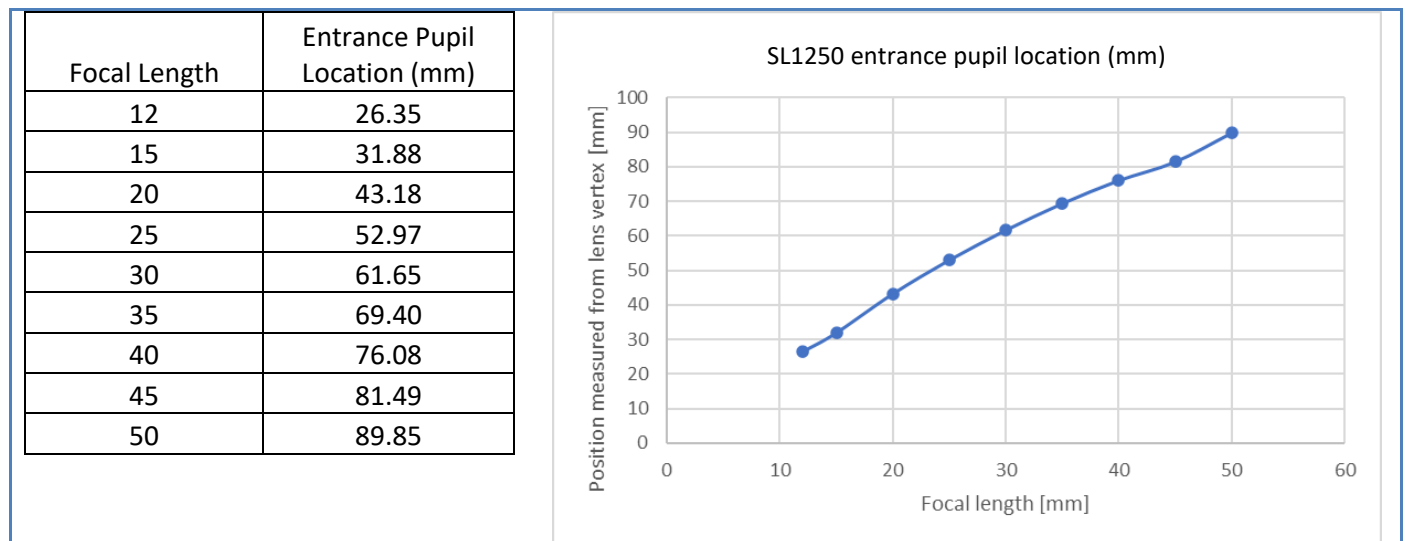
*4K format = 4000 x 2000 pixels

Lens drawing



Entrance pupil location

The entrance pupil location is measured from the vertex of the lens at the input side. It is located inside the lens.



Alternate lens options

There are other options for motor configurations, iris types, and mount types. Please visit www.theiatech.com to learn more about our other lens options.

xx1250x xx -xx

TL: motorized
SL: non-motorized

A: autoiris
P: P-iris
M: manual iris

R3: motorized zoom, focus, iris
R4: motorized zoom, focus, iris, IRC
R5: motorized zoom, focus, iris, with limit switch for zoom, focus limits
R6: motorized zoom, focus, iris, IRC, with limit switch for zoom, focus limits

Blank or CS: CS mount
25: smooth Ø25mm mount

Production versions:
 SL1250M (manual lens, manual iris, CS mount)
 SL1250A (manual lens, DC autoiris, CS mount)
 SL1250P (manual lens, P-iris, CS mount)
 TL1250A-CS (fully motorized, DC autoiris lens)
 TL1250P-CS (fully motorized, P-iris lens)

Other versions are available by special request and may be added to regular production

For more information contact

Theia Technologies
 info@TheiaTech.com
www.TheiaTech.com
 +1-503-570-3296

Revisions

Version	Change	Reason
240709	Changed to lens specific spec	