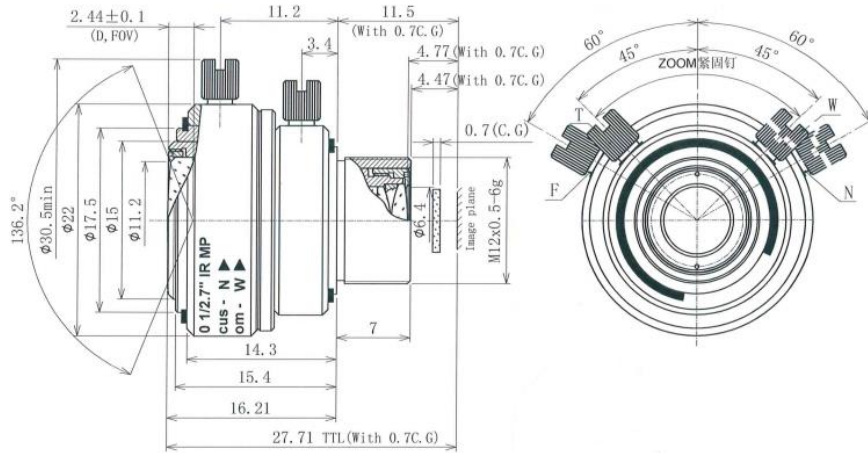




Vision Light Tech

creating optical solutions



Focal Length:	3.2-5.7mm	
Image Format (HxV,D):	5.37x4.04, 6.72	
Max Image Circle:	Φ6.9mm	
Mount:	M12x0.5-6g	
Aperture,F/# (FNo.):	F2.2	
TTL:	27.71mm(With 0.7C.G)	
Back Focal Length:	4.77~7.45mm(With 0.7C.G)	
Iris:	Fixed	
(F.O.V.):		1/2.7"
	D	136.2°~ 68.3°
	H	102.9°~ 54.3°
	V	75°~ 40.6°
M.O.D:	0.3m	
Working Distance:	0.7m~∞	
Effective Aperture:	Φ11.2mm	Front
	Φ6.4mm	Back
Dimension:	Φ21x23.21mm	
TV Distortion:	-25.7%W ~ -7.5%T	
Max CRA:	<10.2°	
Relative Illumination:	>45%(Φ6.6mm)	
Lens construction:	8-6	
MTF:	MP	
Model:	ACM127BF325722IRM12	