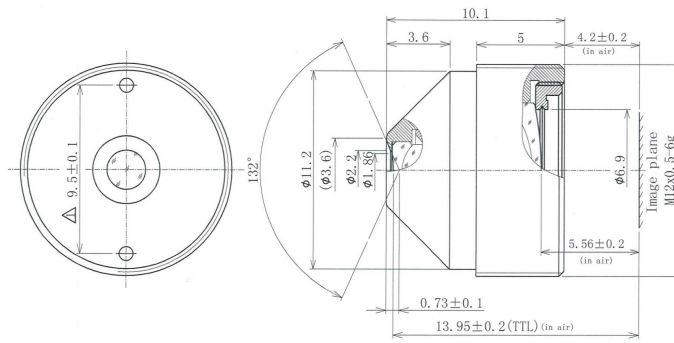




Vision Light Tech

creating optical solutions



Focal Length :	3.7mm	
TTL :	13.95mm	
Back Focal Length :	5.56mm	
Mount:	M12x0.5-6g	
Aperture (F) :	F2.5	
Iris:	Fixed	
Image Size :	1/2.8"	
Sensor :	CCD/CMOS	
(F.O.V.)(D/H/V):	132°/88.5°/62°	
Relative illumination :	≥35%	
TV Distortion:	<-25.1%	
CRA :	3.2°	
Resolution :	3MP	
M.O.D:	0.2m	
Effective Aperture :	Φ 2.2mm	Front
	Φ 6.9mm	Rear
Dimension:	Φ12x10.1mm	
Lens Construction:	6-3	
Model:	ACP128B03725IRM12MM	