

MB-AFSL105

This LED light casts a bright, crisp beam of light that's focus-adjustable from 4" to 7" away. Use this affordable light whenever you need a collimated light with a tightly focused beam. Without any additional focusing our Mini-spotlight is designed to cast a round pattern of light about the diameter of a nickel. Our Mini-spotlights feature a built in 24-volt driver, thermal management technology and a custom designed three lens relay with coated optics for perfect beam uniformity. Custom aperture sizes are also available.



FEATURES

- Homogenous light output that provides high intensity illumination
- Tight, focused, adjustable beam of light
- LED thermal management for stable performance
- Custom bracket allows for precise positioning
- Flicker free performance and instant start up with Metaphase analog driver technology
- Economical
- An ideal light for many applications
- Built-in Constant Current Driver with 0 – 10VDC intensity control, compatible with DDC-3 and ILD-35-24-L

WAVELENGTHS

Order ID	Description / nanometers
W	White (6000K), Nominal
R	Red / 630nm
G	Green / 530nm
B	Blue / 470nm
IR850 (or IRN)	Infrared / 850nm
IR880 (or IRL)	Infrared / 880nm
IR940	Infrared / 940nm
UV365 (or UVS)	Ultraviolet Short / 365nm
UV395 (or UVL)	Ultraviolet Long / 395nm

GENERAL SPECIFICATIONS

Power Source:	24VDC ±5%
Cable (Standard):	10-foot cable with flying leads
Housing:	Black Anodized Aluminum
Ambient Temp:	-20°C to 40°C
Lifetime Expectancy:	75,000 hours (except UV)

MB-AFSL105

Adjustable Focus Mini-Spotlight							
MODEL	Dimensions Length x Diameter Inches (mm)	Lens Diameter Inches (mm)	Weight lbs (grams)	Cable QTY	Cable Length	Cable Description	Maximum Input Current @24VDC
MB-AFSL105	2.41" x Ø1.28" (61.2mm x Ø32.4mm)	Ø.37" (Ø9.3mm)	.36 (160)	1	10ft	24 AWG 4 Wire	.15A

Wiring (4 conductor with Intensity Control)**	
Wire Color	Function
RED	+24VDC
WHITE	0-10VDC INTENSITY CONTROL
BLACK	GROUND (24V RTN)
GREEN	SIGNAL GROUND

Wiring (4 conductor without Intensity Control)	
Wire Color	Function
RED	+24VDC
WHITE	+24VDC
BLACK	GROUND (24V RTN)
GREEN	GROUND (24V RTN)

M12 (5 position male)**	
Pin #	Function
1	+24VDC
2	0-10VDC Intensity Control
3	GROUND (24V RTN)
4	SIGNAL GROUND
5	No Connection

The M12 connector option is not recommended for lights rated more than 4 amps

Wiring with ULC-2	
Wire Color	Function
RED, WHITE (+)	LED INPUT
BLACK, GREEN (-)	

Terminated within a 2 position ULC-2 output connector
(Phoenix Contact P/N: BCP-508-2)

**Note: The 0-10VDC Intensity Control input can accept voltages from 0-24VDC where the light will operate at full intensity in the 10-24VDC range. The light is proportionally dimmer for any Intensity Control voltage less than 10VDC and the light is OFF at approximately 0V or not connected (floating).

MB-AFSL105

MODEL NUMBER KEY					
MODEL	WAVELENGTH	-	OPTION 1	-	OPTION 2
MB-AFSL105	XXX	-	XXX	-	X-XXX
MB-AFSL105	W (White 6000K, Nominal) R (Red 630nm) G (Green 530nm) B (Blue 470nm) IR850 (or IRN) (Infrared 850nm) IR880 (or IRL) (Infrared 880nm) IR940 (Infrared 940nm) UV365 (or UVS) (UV Short 365nm) UV395 (or UVL) (UV Long 395nm)	-	24 (+24VDC, standard)	-	T (M12 Connector)
			U (ULC-2 interface) KEY (Keyence Controller) ILD (In Line Dimmer) ILS (In Line Strobe)		XXX (Custom code)

Sample Model Number: **MB-AFSL105-W-24**

SEE NOTE #2.

REVISIONS				
ZONE	REV.	DESCRIPTION	DATE	APPROVED
	A	REVISED AND REDRAWN, KW	2/11/2011	
	B	REVISED DRAWING, KW	5/17/2012	
	C	Revised and Reformatted, Created Sub Details	7/19/2016	
	D	ADDED MISSING PARTS / UPDATE TO AS BUILT	12/14/2016	
	E	ADDED SHEET FOR OPTIONAL BRACKET	8/21/2017	

NOTES: UNLESS OTHERWISE SPECIFIED

- FINISH: BLACK ANODIZED HOUSING.
- 10 FT CABLE PROVIDED.
- OPTIONAL HOLDING BRACKET- AB3-30.

Metaphase Technologies, Inc. 211 Sinclair Road, Suite 100, Bristol, PA. 19007 215-639-8699 Fax 215-639-0977

QUANTITY:	Per order
MATERIAL:	Per BOM
FINISH:	Black Anodize
TREATMENT:	N/A

UNLESS OTHERWISE SPECIFIED

TOLERANCE/FINISH	INCHES (MM)	125V TYP.	PLACES
X	.005	XXX	[PLACES]
[4.75]	[.03]	[2.25]	[1.13]
			±.002 ANGLES ±1°

THIS DOCUMENT IS THE PROPERTY OF METAPHASE TECHNOLOGIES, INC. WHOM MAY LOAN IT. SUBJECT TO RETURN UPON DEMAND. IT INCLUDES CONFIDENTIAL & PROPRIETARY INFORMATION WHICH MAY NOT BE DISCLOSED TO ANY THIRD PARTY, AND/OR USED FOR ANY PURPOSE CONTRARY TO ITS INTENDED USE, WITHOUT THE EXPRESSED PRIOR WRITTEN CONSENT OF METAPHASE TECHNOLOGIES, INC.

METAPHASE
LIGHTING TECHNOLOGIES

TITLE: SPOTLIGHT 0.6" ADJ FOCUS

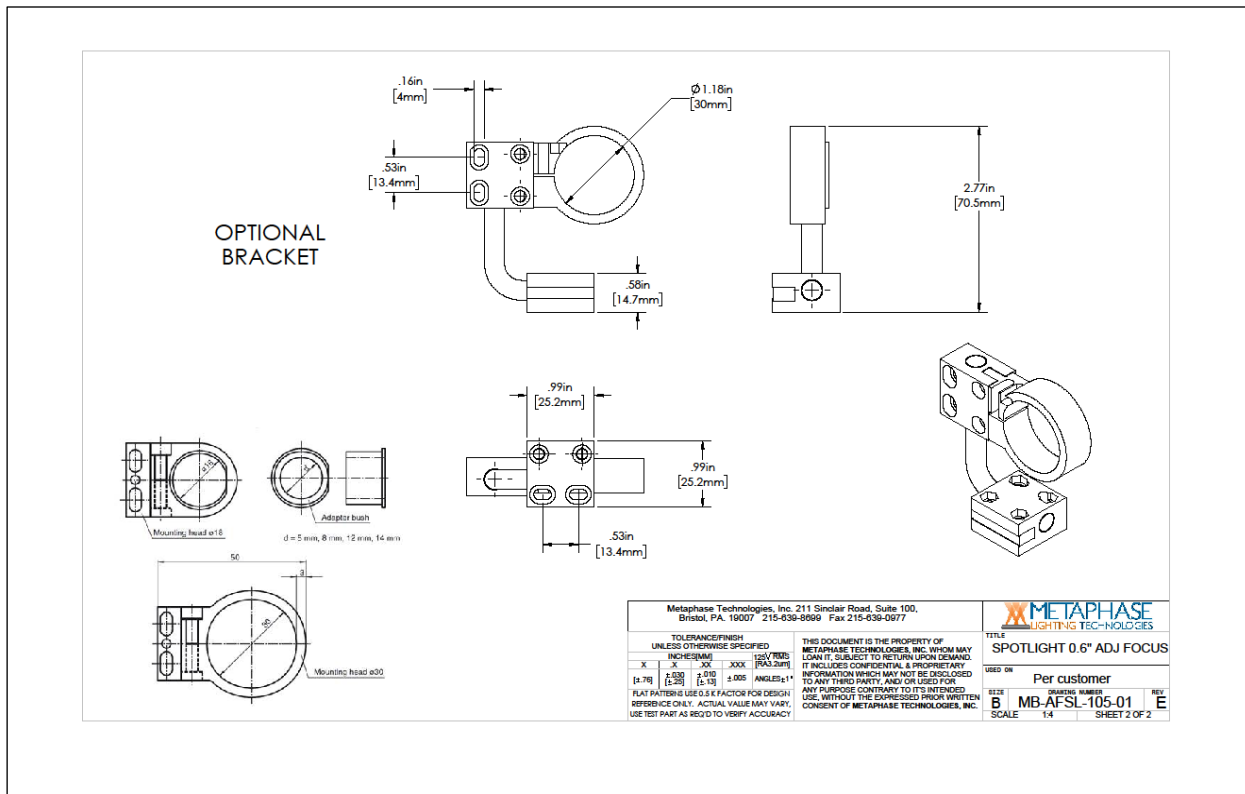
USED ON: Per customer

SIZE: B DRAWING NUMBER: MB-AFSL-105-01 REV: E

SCALE: 1:4 SHEET 1 OF 2

Approval Signature: _____ / / _____
Date

MB-AFSL105



COMPLIANCE



CONTACT US

Contact Metaphase Technologies at **215-639-8699** or your local representative for additional details, options and customizations.